

# Support Bracket

FORMWORK



PERFORMANCE

| SIMPLICITY

| QUALITY

| ADAPTABILITY

ESSENTIAL  
LOAD SUPPORT

**Alphi**  
Formwork and solutions

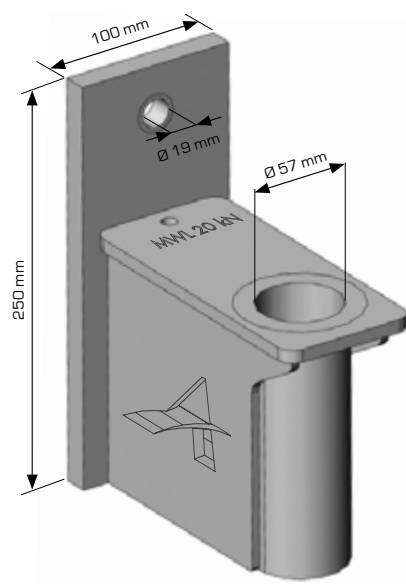


## *Support Bracket*



The Alphi formwork support bracket has a **load capacity of 20 kN**. It can be mounted easily, **on a skin, post or girder**, using a concrete screw. It is used with a 48 mm diameter adjustable fork.

*Formwork  
support  
bracket in use*

## COMPONENT

Equipment	Formwork support bracket	Material	Weight (kg)	MWL (kN)	Safety coefficient on loads and material	Description
		S235	6.175	20	1.65	<ul style="list-style-type: none"> <li>Engraving</li> </ul>

## FORMWORK SUPPORT BRACKET ACCESSORIES

Additional	2-inlet adjustable fork	Weight (kg)		
		7.56		
	Hilti screw	Length (mm)	Description	
		115 mm	<ul style="list-style-type: none"> <li>HUS3-H14 <math>h_{nom} = 115</math> mm</li> <li>Reusable if load &lt; 12 kN</li> <li>Otherwise single-use (max. 20 kN)</li> </ul>	
21 mm wrench	Diameter (mm)			
	21			

# Formwork support bracket

## USER GUIDE

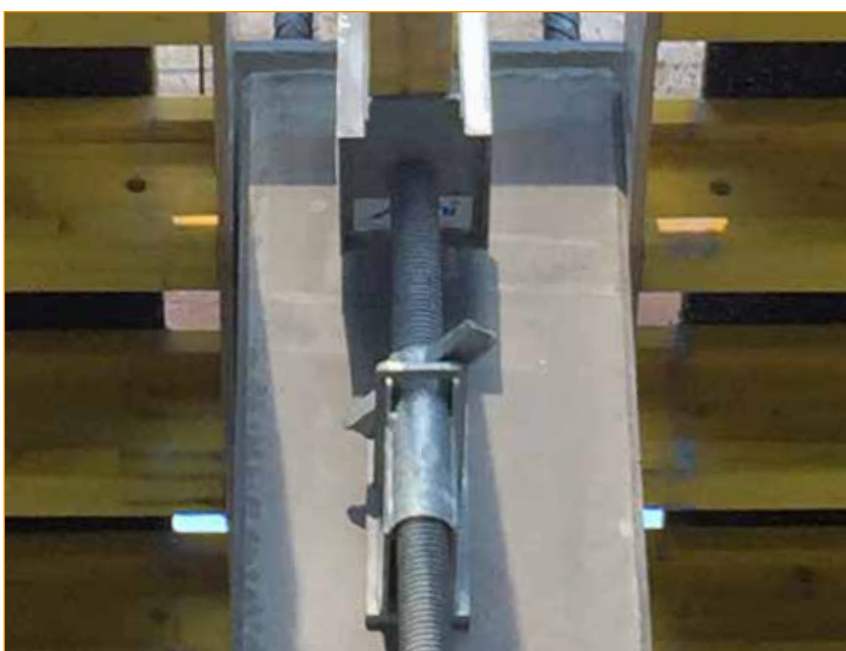
### USE ON SKIN OR POST



- Mount with a Hilti HUS3-H14  $h_{nom} = 115$  mm type screw or equivalent in terms of strength characteristics.
- Caution: the screw is reusable if the load is between 0 and 12 kN, single-use between 12 and 20 kN.

→ The formwork support bracket is used with a two-inlet adjustable tower fork.

### USE ON GIRDER



- Mount using the same procedure as described above.
- The girder should have a minimum drop of 60 cm.
- The bottom of the part should be aligned with the bottom of the girder.

→ The formwork support bracket is used with a two-inlet adjustable tower fork.

ALPHI, THE LEADING FRENCH MANUFACTURER OF SLAB FORMWORK



This support bracket can be used with all commercially available beams compatible with the two-inlet fork. It can be mounted easily, on a skin, post or girder, using a concrete screw.

**4 rue de Bitbourg**

L-1273 Luxembourg

Tel. +352 266 877 81 - Fax +352 287 723 76 - [info@alphilux.lu](mailto:info@alphilux.lu)

Design office: Tel. +33 (0)4 79 61 85 91 - [be@alphilux.lu](mailto:be@alphilux.lu)

Logistic department: Tel. +33 (0)4 79 61 85 92

**Alphi**  
Formwork and solutions

Designed in France 

[www.alphilux.lu](http://www.alphilux.lu)